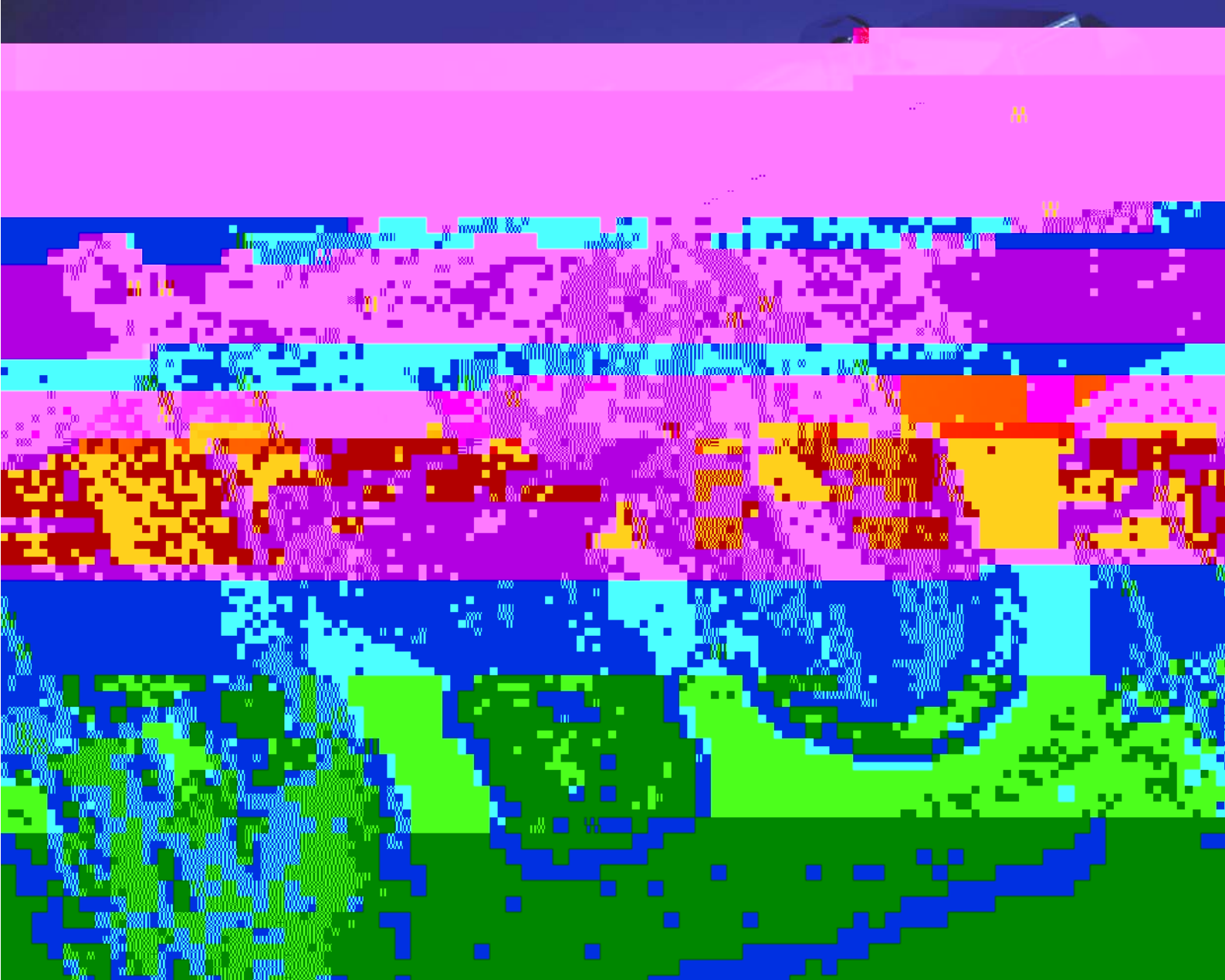


16/26 SERIES

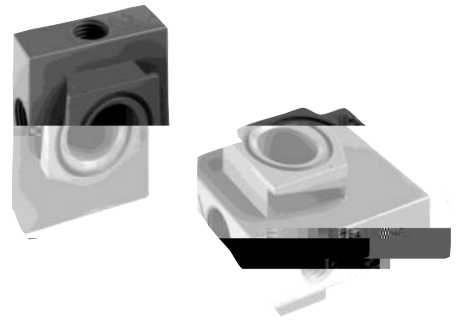
COMPACT & STANDARD MODULAR
AIR PREPARATION SYSTEMS



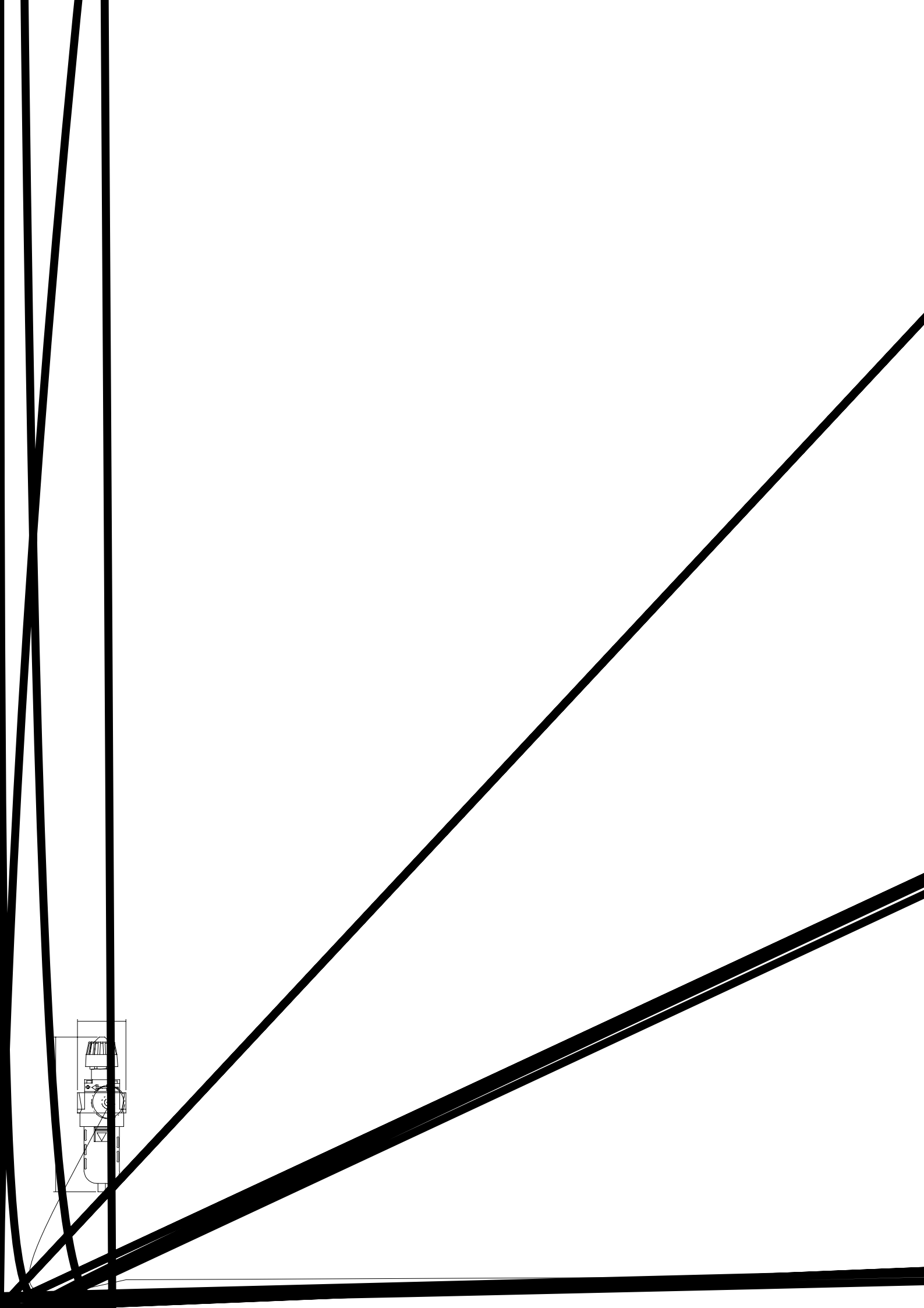
WILKERSON®

WILKERSON
AIR PREPARATION SYSTEMS
16/26 SERIES
COMPACT & STANDARD MODULAR
AIR PREPARATION SYSTEMS





Multiported manifold blocks for increased design flexibility. Manifold blocks can be installed either after the filter or regulator, providing three additional 1/4 G tapped auxiliary ports. Inlet/outlet ports are nonthreaded.



MODULAR 16/26 SERIES

/ / / /

Model	Description	Pipe Size G	Max. Flow dm ³ /s	Max. inlet pressure bar*	Max. Temp °C	Bowl Capacity cm ³	Height mm	Width mm	Shpg. Weight kg	
COMPACT SIZE "16" SERIES										
F16-C2-000	Filter	1/4	30	10	50	81	165	76	0,8	
F16-C3-000	Filter	3/8	35	10	50	81	165	76	0,8	
F16-C4-000	Filter	1/2	38	10	50	81	165	76	0,8	
M16-C2-S00	Coalescing Filter	1/4	18	10	50	81	191	76	0,8	
M16-C3-S00	Coalescing Filter	3/8	21	10	50	81	191	76	0,8	
M16-C4-S00	Coalescing Filter	1/2	22	10	50	81	191	76	0,8	
R16-C2-000	Regulator	1/4	34	21	80	,	132	76	0,77	
R16-C3-000	Regulator	3/8	38	21	80	,	132	76	0,77	
R16-C4-000	Regulator	1/2	42	21	80	,	132	76	0,77	
L16-C2-000	Lubricator	1/4	17	10	50	148	169	76	0,8	
L16-C3-000	Lubricator	3/8	28	10	50	148	169	76	0,8	
L16-C4-000	Lubricator	1/2	30	10	50	148	169	76	0,8	
C16-C2-E00	Filter-Regulator-Lubricator	1/4	17	10	50	81/148**	182	227	3,3	
C16-C3-E00	Filter-Regulator-Lubricator	3/8	28	10	50	81/148	182	227	3,3	
C16-C4-E00	Filter-Regulator-Lubricator	1/2	30	10	50	81/148	182	227	3,3	

STANDARD SIZE "26" SERIES

F26-C2-000	Filter	1/4	38	10	50	95	188	84	1,3
F26-C3-000	Filter	3/8	56	10	50	95	188	84	1,3
F26-C4-000	Filter	1/2	71	10	50	95	188	84	1,3
M26-C2-S00	Coalescing Filter	1/4	26	10	50	52	208	84	1,1
M26-C3-S00	Coalescing Filter	3/8	31	10	50	52	208	84	1,1
M26-C4-S00	Coalescing Filter	1/2	38	10	50	52	208	84	1,1
R26-C2-000	Regulator	1/4	53	21	80	,	165	85	1,34
R26-C3-000	Regulator	3/8	70	21	80	,	165	85	1,34
R26-C4-000	Regulator	1/2	87	21	80	,	165	85	1,34
L26-C2-000	Lubricator	1/4	17	10	50	296	179	85	1,07
L26-C3-000	Lubricator	3/8	28	10	50	296	179	85	1,07
L26-C4-000	Lubricator	1/2	60	10	50	296	179	85	1,07
C26-C2-E00	Filter-Regulator-Lubricator	1/4	17	10	50	52/296**	207	314	4,7
C26-C3-E00	Filter-Regulator-Lubricator	3/8	28	10	50	52/296	207	314	4,7
C26-C4-E00	Filter-Regulator-Lubricator	1/2	60	10	50	52/296	207	314	4,7

INTEGRAL FILTER/REGULATOR SERIES

CB6-C2-000	Filter/Regulator	1/4	30,2	10	52	81	238	76	1,1
CB6-C3-000	Filter/Regulator	3/8	33,0	10	52	81	238	76	1,1
CB6-C4-000	Filter/Regulator	1/2	33,0	10	52	81	238	76	1,1
CB7-C2-E00	Filter/Regulator-Lubricator	1/4	17,0	10	52	81/148**	238	152	2,5
CB7-C3-E00	Filter/Regulator-Lubricator	3/8	27,6	10	52	81/148	238	152	2,5
CB7-C4-E00	Filter/Regulator-Lubricator	1/2	30,2	10	52	81/148	238	152	2,5

Units also available with NPT. To order, place 0 in model code position 4, Example: XXX-0X-XXX

* Plastic Body Units

** Filter/Lubricator

ACCESSORIES FOR BOTH SERIES

GPA-95-292	Modular Sleeve	,	,	,	,	,	,	,	0,14
GPA-95-968	Modular Mounting Bracket	,	,	,	,	,	,	,	0,09
GPA-95-969	Modular Sleeve with Mounting Bracket	,	,	,	,	,	,	,	0,24
GPA-95-226	Modular Connection End Block	1/4	,	,	,	,	,	,	0,18
GPA-95-227	Modular Connection End Block	3/8	,	,	,	,	,	,	0,14
GPA-95-228	Modular Connection End Block	1/2	,	,	,	,	,	,	0,14
GPA-95-322	Modular Connection End Block	3/4	,	,	,	,	,	,	0,14
GPA-95-323	Modular Connection End Block	1	,	,	,	,	,	,	0,14
GRP-95-973	Automatic Mechanical Drain	1/8	,	200	175	,	,	,	0,03
GPA-95-918	Manifold Block	1/4***	,	,	,	,	,	,	0,29
GPA-95-099	Shut-off Valve (Lock-off Only)	1/4	,	,	,	,	,	,	0,42
GPA-95-100	Shut-off Valve (Lock-off Only)	3/8	,	,	,	,	,	,	0,44
GPA-95-101	Shut-off Valve (Lock-off Only)	1/2	,	,	,	,	,	,	0,39

*** 3 Auxiliary Ports

