

Electronic Regulator & Proportional Valve

C . . 9C -UM-212 (R .2)

WILKE

®

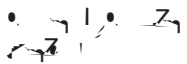
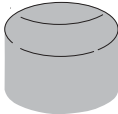


41to 20 mA

41to 20 mA

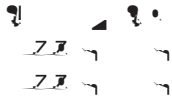
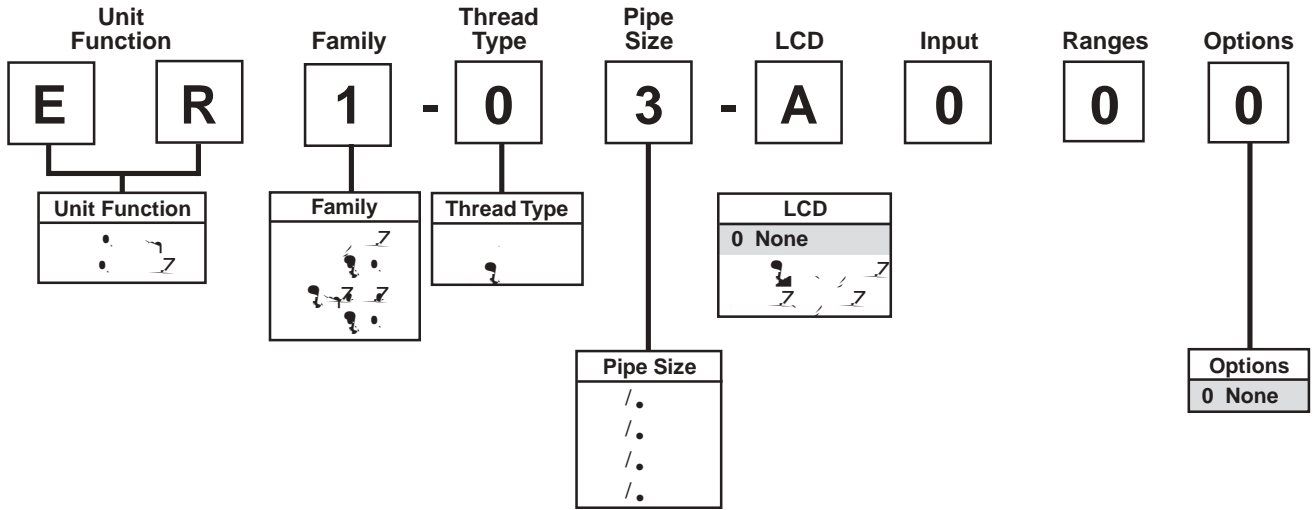
41to 20 mA

Typical Installations



Electronic Regulator Numbering System

 = "Most Popular"

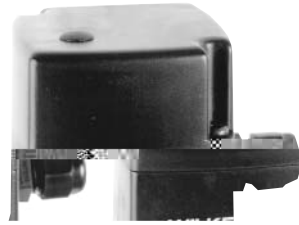
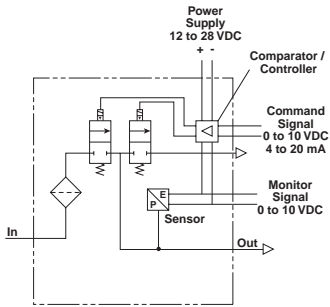


Electronic Regulator ER1 / ER2

Specifications



Electronic Proportional Valve EPV



EPV-01-00H0

Features

- 1 / 2" NPT In and Out ports
- 100% duty cycle
- 0.5 to 100% flow range
- 0.1 to 100% pressure range
- 0.1 to 100% flow range
- 1 / 2" NPT In and Out ports

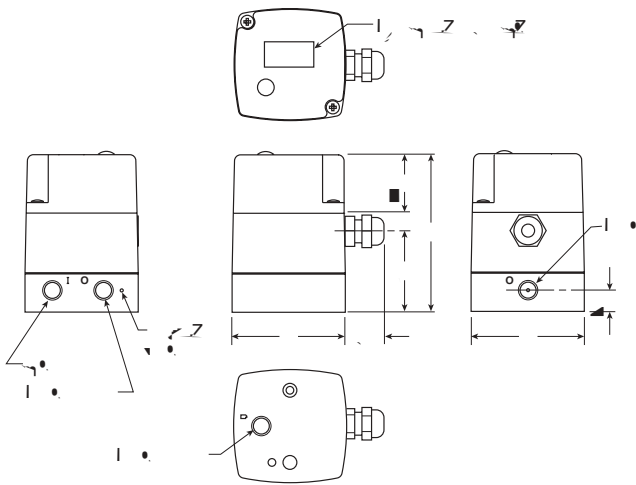
Specifications

■ = "Most Popular"

Flow Rate	0.1 to 100% (■)
Pressure Range	0.1 to 100% (■)
Flow Range	0.1 to 100% (■)
Pressure	0.1 to 100% (■)
Flow Rate	0.1 to 100% (■)
Pressure Range	0.1 to 100% (■)
Flow Range	0.1 to 100% (■)
Pressure	0.1 to 100% (■)
Flow Rate	0.1 to 100% (■)
Pressure Range	0.1 to 100% (■)
Flow Range	0.1 to 100% (■)
Pressure	0.1 to 100% (■)

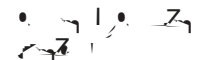
Materials of Construction

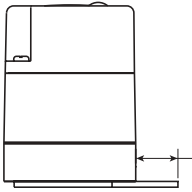
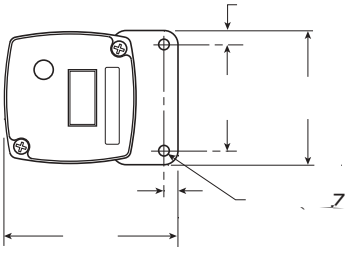
Body	Aluminum (■)
Internal Components	Stainless Steel (■)
Seals	Nitrile (■)
Coil	Aluminum (■)



Dimensions

Models	Inches (mm)	A	B	C	D	E	F	G
EPV-01-00H0								





Flat Bracket



Replacement Kits



Sec

Ordering Information

Model Type	Power	Display	0 to 10 VDC w/ LCD	4 to 20 mA w/ LCD	Internal With LCD
EPV					
Op					

Notes

The items described in this document and other documents or descriptions provided by The Company, its subsidiaries and its authorized distributors, are hereby offered for sale at prices to be established by The Company, its subsidiaries and its authorized distributors. This offer and its acceptance by any customer ("Buyer") shall be governed by all of the following Terms and Conditions. Buyer's order for any such item, when communicated to The Company, its subsidiaries or an authorized distributor ("Seller") verbally or in writing, shall constitute acceptance of this offer.

1. Terms and Conditions of Sale: • / r - Z r r ? • •

