



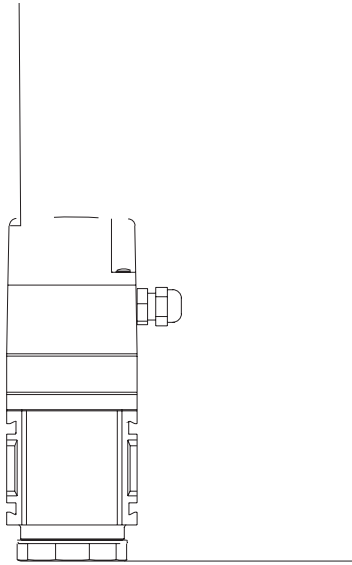
Wilcoxon's electro-pneumatic series products consist of the ER1, the ER2, and the *New* EPV. The ER1/ER2 are an integrated pressure controller and booster capable of delivering accurate pneumatic pressures over a wide

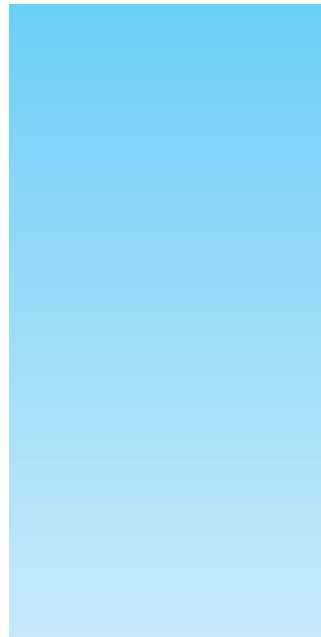
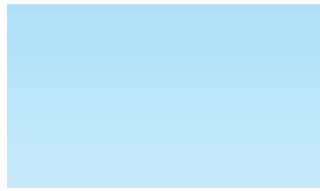


Wilkerson electronic regulators provide internal 5-micron filtration to the controller and flows in excess of 94,3 dm³/s (200 SCFM) without requiring volume-booster options. For the size, the ER1 and ER2 are among the smallest, highest performing electro-pneumatic units on the market today, and among the least expensive.

The ER1 and ER2 are available in a variety of sizes, from 1/4" to 3/4" ports, in both NPT and G-series threads. In addition, the ER1 and ER2 utilize the same convenient modular connection method as Wilkerson's innovative 18/28 FRL system.

The





UNIT FUNCTION

ER = ELECTRONIC

FAMILY

1 = COMPACT (18 Series)

2 = STANDARD (28 Series)

WILKERSON



WILKERSON

