

Pneumatic Division
Richland, Michigan 49083
269-629-5000

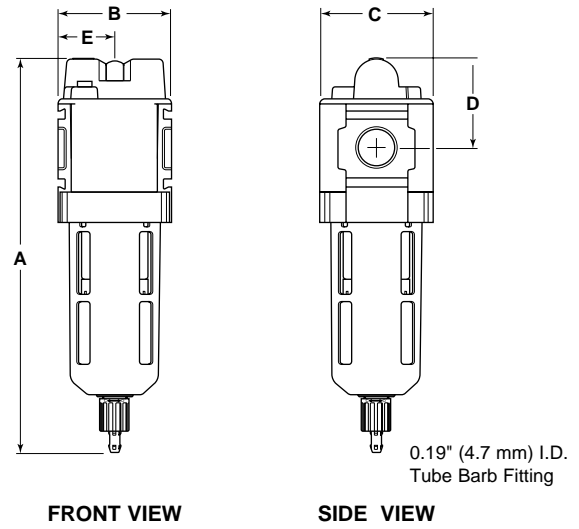
83-891-000, Rev. 3



WARNING

To avoid unpredictable system behavior that can cause personal injury and property damage:

- Disconnect electrical supply (when necessary) before installation, servicing, or conversion.
- Disconnect air supply and depressurize all air lines connected to this product before installation, servicing, or conversion.
- Operate within the manufacturer's specified pressure, temperature, and other conditions listed in these instructions.
- Medium must be moisture-free if ambient temperature is below freezing.
- Service according to procedures listed in these instructions.
- Installation, service, and conversion of these products must be performed by knowledgeable personnel who understand how pneumatic products are to be applied.
-



Dimensions

Models	A	B	C	D	E
A18	8.2 (209)	2.36 (60)	2.36 (60)	1.9 (48)	1.2 (30)
A28	9.3 (213)	2.9 (73)	2.9 (73)	1.9 (48)	1.4 (37)