

WILKERS®

Richland, MI 49083

Tel: (269) 629-5000

Install

84-07

Sal

W08

18

02



WARNING

To avoid unpredictable system behavior which can cause personal injury and property damage:

- Disconnect electrical supply (if necessary) before installation, servicing, or conversion.
- Disconnect air supply and all air lines connected to this product before installation or conversion.
- Operate within the manufacturer's rated pressure, temperature, and other conditions listed in the instructions.
- Medium must be moist and temperature is below freezing.
- Service according to the manufacturer's instructions.
- Installation, servicing, and conversion of these products must be performed by knowledgeable personnel who understand how pneumatic products are used.
- After installation, check all air and electrical supplies (when necessary) and the product tested for proper function before use. If damage is present, or the product does not operate properly, do not use.
- Warnings and instructions should not be covered by paint or other markings. Contact your local representative for more information.

INSTALLATION

1. Refer to WARNING.
2. Install as close to the wall as possible.
3. Unit must be installed so that the flow arrow on the face of shut off blade is in the direction of the flow arrow on the face of the body.
4. Avoid using pipe fittings, couplings, etc., whenever possible. If these devices are used, install them so that they do not restrict air flow and cause performance problems.
5. Maximum pressure rating is 150 psig (10.3 bar). Temperature range is 32°F to 125°F (0°C to 65.5°C).
6. Unit must be locked in the closed position using a standard lock.

MAINTENANCE

THE UNIT MUST BE REMOVED FROM THE SYSTEM

1. Remove retaining screws, and separate body halves.
2. Remove shut off blade.
3. Remove O-rings from body halves.
4. Lightly lubricate O-rings and shut off blade.
5. Align shut off blade on body halves.
6. Place body halves together and tighten retaining screws.

WARNING

CAUTION OR IMPROPER USE OF THE PRODUCTS DESCRIBED HEREIN OR RELATED EQUIPMENT CAN CAUSE PERSONAL INJURY AND PROPERTY DAMAGE.

The information from The Company, its subsidiaries and its representatives provide product and/or system options for further information. The user, through its own selection and testing, is solely responsible for making the final selection of products and systems and assuring that all performance, safety and other requirements of the application are met.

The products described herein, including without limitation, product features, specifications, designs, availability and pricing, are subject to change by The Company and its subsidiaries at any time without notice.

EXTRA COPIES OF THESE INSTRUCTIONS ARE AVAILABLE FOR INCLUSION IN EQUIPMENT / MAINTENANCE MANUALS THAT UTILIZE THESE PRODUCTS. CONTACT YOUR LOCAL REPRESENTATIVE.

INSTALLATION

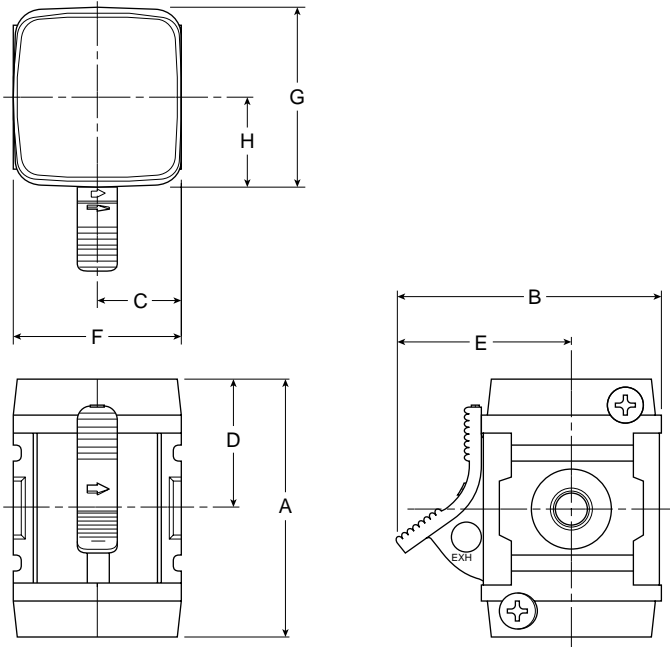
1. Lire L'AVERTISSEMENT ci-haut avant l'installation.
2. Installer le dispositif aussi près du point d'utilisation que possible.
3. Ce dispositif doit être monté de manière à ce que le débit soit orienté dans la direction de la flèche placée sur la face du battant.
4. Éviter dans toute la mesure du possible d'utiliser des bagues, raccords ou autres dispositifs de réduction pour installer ce produit. Ils diminuent le débit d'air et risquent d'affecter le fonctionnement.
5. La pression maximale d'utilisation est de 10,3 bar (150 psig). La température d'utilisation se situe entre 0 °C et 65,5 °C (de 32 °F à 150 °F).
6. On peut verrouiller le dispositif en position fermée au moyen d'un cadenas standard.

ENTRETIEN**CE DISPOSITIF DOIT ÊTRE DÉMONTÉ DE LA CONDUITE D'AIR COMPRIMÉ POUR L'ENTRETIEN.**

1. Dévisser les vis de fixation et séparer les deux demi-corps.
2. Démontez le battant.
3. Démontez les joints toriques des deux moitiés du corps.
4. Lubrifier légèrement les joints toriques et les replacer dans leur logement.
5. Aligner le battant sur l'axe situé sur le demi-corps d'entrée comme illustré.
6. Reinsérer les deux demi-corps ensemble et serrer les vis à environ 20 po/lb. Richland,

INSTALACION

1. Remítase a la ADVERTENCIA antes de proceder a la instalación.
2. Efectúe la instalación lo más cerca posible del punto de uso.
3. La unidad se debe instalar con el flujo en dirección de la flecha de flujo en la cara de la hoja de cierre.
4. Evite utilizar casquillos reductores, acopladores reductores, etc., siempre que sea posible al instalar este producto. Estos dispositivos restringen el flujo de aire y pueden afectar el rendimiento.



-
- **Safety Lockout Valve Model V08**
 - **Vanne d'isolement de sécurité modèle V08**
 - **Valvula de Cierre de se Guridad Modelo V08**

